



BAS920AI

Datasheet

BAS920AI

Datasheet

BAS920AI is an analogt input module for BAS920 port expansion

BAS920AI samples at 5 hz

BAS920 AI includes 8 analog inputs to be controlled by the connected BAS920.

Typical usage for the module is

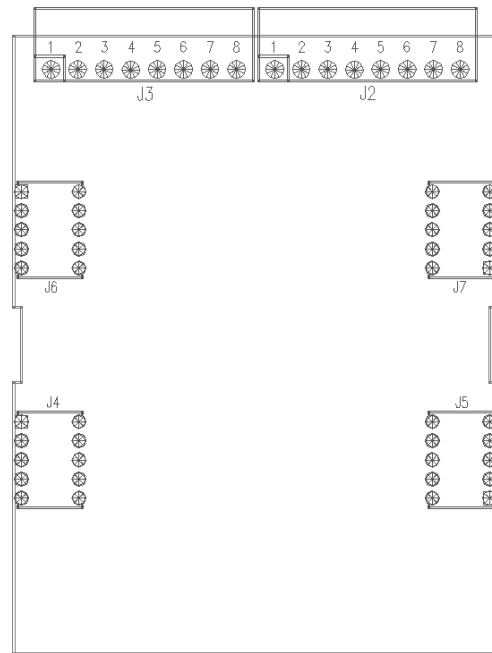
Each input may be configured for

- PT1000 termistor, temperature measurement
- 10K NTC termistor, temperature measurement
- 4-20mA sensor, pressure measurement
- 2-10V analog signal, motor position
- Etc ...

- Impedance, 0-1600 ohm
- Impedance, 0-44900 ohm
- Current, 0-20 mA
- Voltage, 0-10V

All 8 channals can be configured individually.

The BAS920AI port interface is galvanically isolated from the BAS920 system interface. The Isolation voltage is 3750V



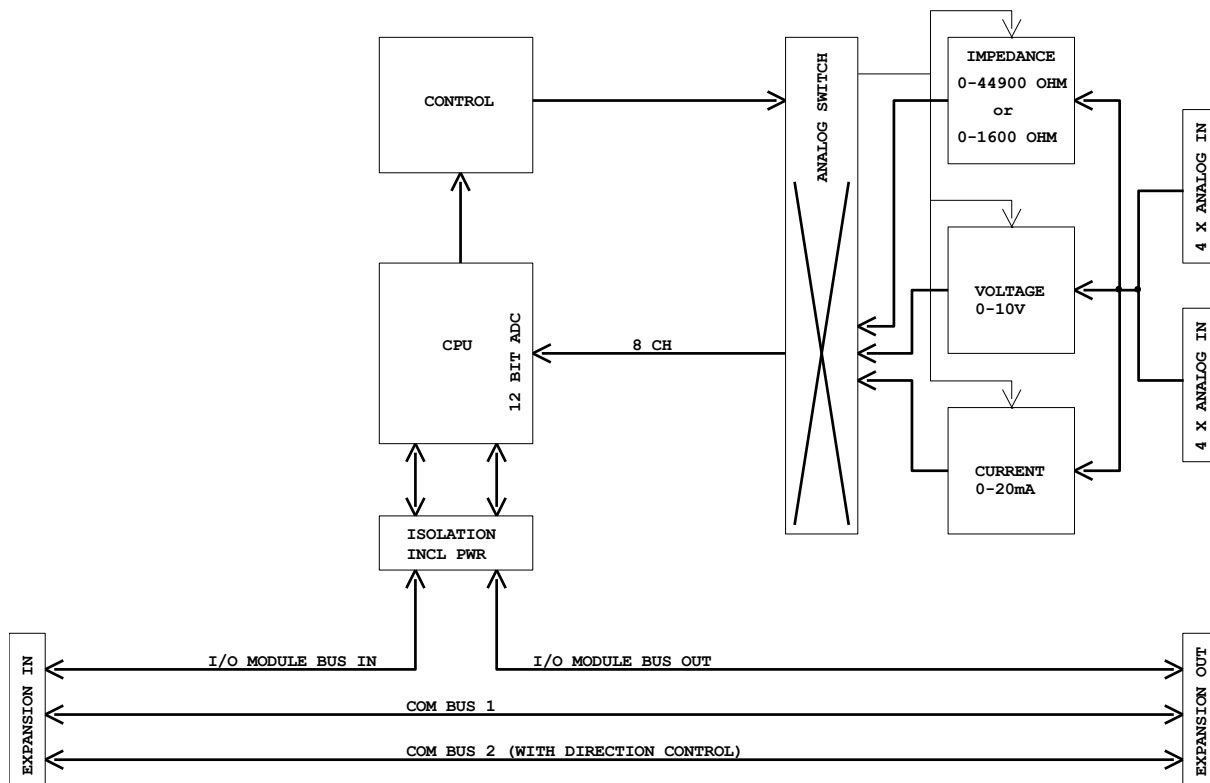
Notes:

- J4, J6 = Expansion bus in
- J5, J7 = Expansion bus out
- J3 (AI channel 1 to 4)
- J2 (AI channel 5 to 8)

GND, all GND terminals are connected internally on the module

J3 / Pin no.	J3 / Signal	J2 / Pin no.	J2 / Signal
1	AI.1	1	AI.5
3	AI.2	3	AI.6
5	AI.3	5	AI.7
7	AI.4	7	AI.8
2,4,6,8	GND	2,4,6,8	GND

BAS920AI BLOCK DIAGRAM



Technical data	
Power supply:	Supplied by BAS920
Temperature	Storage -20 °C til +70 °C Operating -10°C til +60°C
Humidity	Max. 90% RH, non condensing
Enclosure	ABS/PC, IP20 71 x 86 x 58 mm 100 g
Analoge inputs	8 pcs 0(2)-10 VDC 0(4)-20 mA DC 0-1600 ohm (PT1000) 0-44900 ohm (NTC)